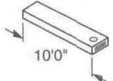
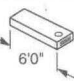
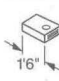
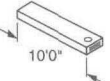
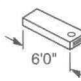
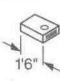


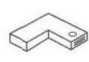
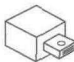

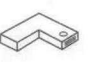




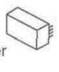
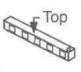

Feeder Straight Lengths

Additional items are available within 2-4 weeks on an "order only" basis. Consult Factory		Aluminum						Copper					
													
		10' Length		6' Length		16" Length		10' Length		6' Length		16" Length	
Number of Poles	Amp Rating	Catalog No.	Price	Catalog No.	Price	Catalog No.	Price	Catalog No.	Price	Catalog No.	Price	Catalog No.	Price
3Ø3W + Integral Ground Bus	800	AF2308G10ST	\$1970.	AF2308G6ST	\$1182.	AF2308G18ST	\$ 788.	CF2308G10ST	\$3220.	CF2308G6ST	\$1932.	CF2308G18ST	\$1288.
	1000	AF2310G10ST	2200.	AF2310G6ST	1320.	AF2310G18ST	880.	CF2310G10ST	3410.	CF2310G6ST	2046.	CF2310G18ST	1364.
	1200	AF2312G10ST	2960.	AF2312G6ST	1776.	AF2312G18ST	1184.	CF2312G10ST	4420.	CF2312G6ST	2652.	CF2312G18ST	1768.
	1600	AF2316G10ST	4190.	AF2316G6ST	2514.	AF2316G18ST	1676.	CF2316G10ST	5930.	CF2316G6ST	3558.	CF2316G18ST	2372.
	2000	AF2320G10ST	5020.	AF2320G6ST	3012.	AF2320G18ST	2008.	CF2320G10ST	7570.	CF2320G6ST	4542.	CF2320G18ST	3028.
3Ø4W + Integral Ground Bus	800	AF2508G10ST	2390.	AF2508G6ST	1434.	AF2508G18ST	956.	CF2508G10ST	4170.	CF2508G6ST	2502.	CF2508G18ST	1668.
	1000	AF2510G10ST	2890.	AF2510G6ST	1734.	AF2510G18ST	1156.	CF2510G10ST	4930.	CF2510G6ST	2958.	CF2510G18ST	1972.
	1200	AF2512G10ST	3610.	AF2512G6ST	2166.	AF2512G18ST	1444.	CF2512G10ST	5900.	CF2512G6ST	3540.	CF2512G18ST	2360.
	1600	AF2516G10ST	5000.	AF2516G6ST	3000.	AF2516G18ST	2000.	CF2516G10ST	7970.	CF2516G6ST	4782.	CF2516G18ST	3188.
	2000	AF2520G10ST	6110.	AF2520G6ST	3666.	AF2520G18ST	2444.	CF2520G10ST	9810.	CF2520G6ST	5886.	CF2520G18ST	3924.

Feeder Fittings

Additional items are available within 2-4 weeks on an "order only" basis. Consult Factory		Aluminum						Copper					
													
		End Tap Box		Edgewise Elbow		Flatwise Elbow		End Tap Box		Edgewise Elbow		Flatwise Elbow	
Number of Poles	Amp Rating	Catalog No.	Price	Catalog No.	Price	Catalog No.	Price	Catalog No.	Price	Catalog No.	Price	Catalog No.	Price
3Ø3W + Integral Ground Bus	800	AF2308GETBMB	\$2372.	AF2308GLEM11	\$1093.	AF2308GLFM11	\$1093.	CF2308GETBMB	\$2476.	CF2308GLEM11	\$1322.	CF2308GLFM11	\$1322.
	1000	AF2310GETBMB	2459.	AF2310GLEM11	1135.	AF2310GLFM12	1172.	CF2310GETBMB	2560.	CF2310GLEM11	1357.	CF2310GLFM11	1357.
	1200	AF2312GETBMB	2627.	AF2312GLEM11	1526.	AF2312GLFM12	1575.	CF2312GETBMB	2748.	CF2312GLEM11	1793.	CF2312GLFM12	1867.
	1600	AF2316GETBMB	2893.	AF2316GLEM11	1751.	AF2316GLFM13	1891.	CF2316GETBMB	3038.	CF2316GLEM11	2070.	CF2316GLFM12	2169.
	2000	AF2320GETBMB	3128.	AF2320GLEM11	1903.	AF2320GLFM15	2238.	CF2320GETBMB	3341.	CF2320GLEM11	2371.	CF2320GLFM13	2623.
3Ø4W + Integral Ground Bus	800	AF2508GETBMB	3715.	AF2508GLEM11	2103.	AF2508GLFM17	2714.	CF2508GETBMB	2853.	CF2508GLEM11	1661.	CF2508GLFM11	1661.
	1000	AF2510GETBMB	4002.	AF2510GLEM11	2265.	AF2510GLFM18	3080.	CF2510GETBMB	3026.	CF2510GLEM11	1800.	CF2510GLFM11	1800.
	1200	AF2512GETBMB	2704.	AF2512GLEM11	1334.	AF2512GLFM11	1334.	CF2512GETBMB	3217.	CF2512GLEM11	2321.	CF2512GLFM12	2419.
	1600	AF2516GETBMB	2856.	AF2516GLEM11	1426.	AF2516GLFM12	1474.	CF2516GETBMB	3026.	CF2516GLEM11	2700.	CF2516GLFM12	2833.
	2000	AF2520GETBMB	3026.	AF2520GLEM11	1901.	AF2520GLFM13	1961.	CF2520GETBMB	3217.	CF2520GLEM11	3038.	CF2520GLFM13	3365.

Plug-In

Additional items are available within 2-4 weeks on an "order only" basis. Consult Factory		Aluminum						Copper					
						For use on both Aluminum and Copper Busway 							
		10' Length		4' Length		Plug-in Tap Box		10' Length		4' Length			
Number of Poles	Amp Rating	Catalog No.	Price	Catalog No.	Price	Catalog No.	Price	Catalog No.	Price	Catalog No.	Price		
3Ø3W + Integral Ground Bus	800	AP2308G10ST	\$1970.	AP2308G4ST	\$ 788.	PTB316G ()	\$2332.	CP2308G10ST	\$3220.	CP2308G4ST	\$1288.		
	1000	AP2310G10ST	2200.	AP2310G4ST	880.	PTB316G ()	2332.	CP2310G10ST	3410.	CP2310G4ST	1364.		
	1200	AP2312G10ST	2960.	AP2312G4ST	1184.	PTB316G ()	2332.	CP2312G10ST	4420.	CP2312G4ST	1768.		
	1600	AP2316G10ST	4190.	AP2316G4ST	1676.	PTB316G ()	2332.	CP2316G10ST	5930.	CP2316G4ST	2372.		
	2000	AP2320G10ST	5020.	AP2320G4ST	2008.	PTB316G ()	CP2320G10ST	7570.	CP2320G4ST	3028.		
3Ø4W + Integral Ground Bus	800	AP2508G10ST	2390.	AP2508G4ST	956.	PTB516G ()	2662.	CP2508G10ST	4170.	CP2508G4ST	1668.		
	1000	AP2510G10ST	2890.	AP2510G4ST	1156.	PTB516G ()	2662.	CP2510G10ST	4930.	CP2510G4ST	1972.		
	1200	AP2512G10ST	3610.	AP2512G4ST	1444.	PTB516G ()	2662.	CP2512G10ST	5900.	CP2512G4ST	2360.		
	1600	AP2516G10ST	5000.	AP2516G4ST	2000.	PTB516G ()	2662.	CP2516G10ST	7970.	CP2516G4ST	3188.		
	2000	AP2520G10ST	6110.	AP2520G4ST	2444.	PTB516G ()	CP2520G10ST	9810.	CP2520G4ST	3924.		

▲ Cannot be used for 800A Copper Busway.
 ■ Add "H" to end of the catalog number for units mounted horizontally and "V" for units mounted vertically.

Accessories

Amp Rating	Hanger (Catalog No.)				End Closure		Wall Flange		
Aluminum	Copper	Flatwise	Vertical	Edgewise	Price	Catalog No.	Price	Catalog No.	Price
800	800	HF38F	HFV	HF43E	\$ 32.	ACF38EC	\$223.	ACF38WF	\$209.
800	1000	HF43F	HFV	HF43E	32.	ACF43EC	223.	ACF43WF	209.
1000	1200	HF53F	HFV	HF58E	32.	ACF53EC	223.	ACF53WF	209.
1200	1350	HF58F	HFV	HF58E	32.	ACF58EC	223.	ACF58WF	209.
1200	1600	HF63F	HFV	HF67E	32.	ACF63EC	223.	ACF63WF	209.
1350	1600	HF67F	HFV	HF67E	32.	ACF67EC	223.	ACF67WF	209.
1600	2000	HF73F	HFV	HF78E	32.	ACF73EC	223.	ACF73WF	209.
1600	2000	HF78F	HFV	HF78E	32.	ACF78EC	223.	ACF78WF	209.
1600	2500	HF88F	HFV	HF88E	32.	ACF88EC	223.	ACF88WF	209.
2000	2500	HF13F	HFV	HF13E	32.	ACF13EC	289.	ACF13WF	209.
2000	3000	HF15F	HFV	HF15E	32.	ACF15EC	289.	ACF15WF	209.
2500	3000	HF16F	HFV	HF16E	32.	ACF17EC	289.	ACF17WF	209.
3000	3000	HF19F	HFV	HF19E	32.	ACF19EC	289.	ACF19WF	303.

I-LINE and VISI-TITE are Registered Trademarks of Square D Company or related companies.

Miscellaneous Additions & Accessories

- **Integral Weather Seal** (Vapor Barrier) **\$382.**
(Required when busway passes through an exterior wall or roof)
- **Roof Flange Kit** **\$1173.**
(Required when busway penetrates an exterior roof)
- **Hanger, Horizontal Flatwise and Edgewise** **\$ 32.**
- **Hangers, Vertical Fixed (HF-V)** **\$ 32.**
- **Hangers, Vertical Spring**

Aluminum Busway	Copper Busway	
800 A thru 1200 A	800 A thru 1200 A	HFVS1. \$ 74.
2000 A thru 2500 A	1350 A thru 2000 A	HFVS2. \$146.
3000 A thru 4000 A	2500 A thru 5000 A	HFVS8. \$146.
- **Lugs** – Other than Square D Standard each lug **\$ 35.**
 Square D Standard added
 to flanged end each lug **\$ 35.**

- **Sway Brace Collar** HP1SBC **\$ 41.**
- **Assembly Tool** AT2..... **N/C**
- **Finger Protection to IP2X** * (For each plug-in opening)
 Plug-in Busway only **\$8.50/Ft.**

* Price this feature as shown and add a Y suffix for the IP2X feature.
Note: Finger Protection can be ordered on I-LINE II (800–5000 A) plug-in busway only.

Example: 10 foot Indoor Plug-In Busway with Finger Protection to IP2X (Catalog No. AP2516G10STY).

10 foot Indoor Riser Busway with Finger Protection to IP2X (Catalog No. AR2516G10STY).

Electrical Data For I-LINE Busway

- Standards:** UL857 (File Number E22182); CSA C22.2 No. 27-1994 (File Number LL-61778); IEC 439 Part 2
- Systems:** AC–3Ø3W, 3Ø4W, 1Ø2W, 1Ø3W. All neutrals are 100% capacity DC–2 pole
- Voltage:** 600 volts AC/DC, 50 Hz and 60 Hz
- Integral Ground:** 50% capacity as standard for 800 A to 5000 A, as an option on 225 A to 600 A
- Enclosure:** Indoor, indoor drip resistant and outdoor (indoor drip resistant and outdoor are available in I-LINE II [800–5000 A] Busway Only).

Short Circuit Ratings: UL 3 cycle test (KA, RMS Symmetrical)

Ampere Rating	Aluminum				Copper			
	AOF2 AF2	AOFH2 AFH2	AP AP2/AR2	APH APH2/ARH2	COF2 CF2	COFH2 CFH2	CP CP2/CR2	CPH CPH2/CRH2
225	–	–	22	–	–	–	22	–
400	–	–	22	42	–	–	22	42
600	–	–	22	42	–	–	22	42
800	50	85	50	75	50	85	50	75
1000	50	100	50	100	50	85	50	75
1200	50	100	50	100	50	100	50	100
1350	50	100	50	100	50	100	50	100
1600	50	100	50	100	50	100	50	100
2000	100	150	125	150	50	100	65	100
2500	100	150	125	150	100	150	125	150
3000	100	150	125	150	100	150	125	150
4000	150	200	200	–	150	200	200	–
5000	–	–	–	–	150	200	200	–

10 BUSWAY